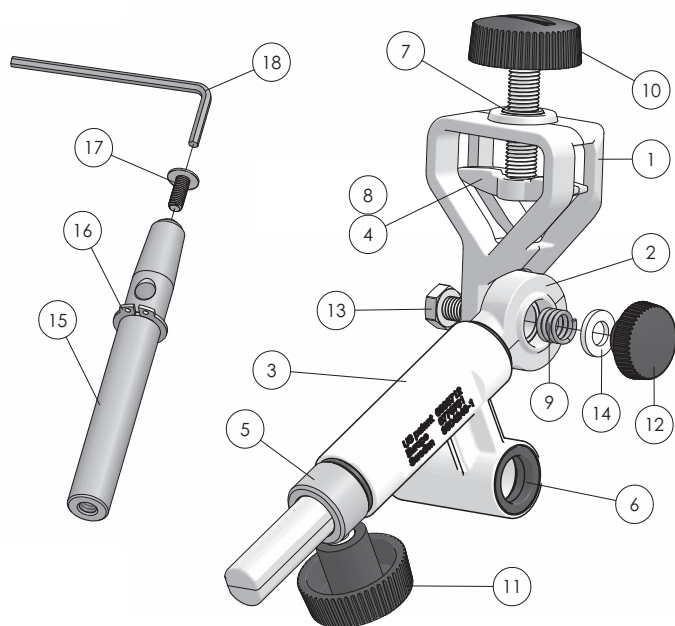


SVD-186 Gouge Jig



TORMEK	JS	P	Hole
TORMEK	JS	P	Hole
TORMEK	JS	P	Hole
TORMEK	JS	P	Hole
TORMEK	JS	P	Hole
TORMEK	JS	P	Hole
TORMEK	JS	P	Hole
TORMEK	JS	P	Hole



Item no.	Article no.	Denomination	Quantity	Weight/piece	
				g	oz
1	2500	Tool holder	1		
2	2510	Shaft	1		
3	2520	Sleeve	1		
4	2530	Disc	1		
5	1091	Stop ring	1	14	0,49
6	3120	Bushing	4	1	0,04
7	1070	Brass bushing, M8	1	3	0,11
8	3320	O-ring	1		
9	0780	Spring	1		
10	7110	Knob screw, M8	1	14	0,49
11	7031	Screw	1	10	0,35
12	7000	Knob nut	1		
13	5620	Screw	1		
14	5240	Washer	1	1	0,04
15	1220	Shaft	1	76	2,68
16	5325	Locking ring	1	1	0,04
17	5580	Mounting screw	1	2	0,07
18	5570	Allen key, 2,5 mm	1	4	0,14
10	PL-01	Profile Labels	1	4	0,14
11	0610	Pen, Tormek	1	8	0,28